

# DHI-LCH65-MT410-B-S2

65 inch



## Functions

### 4K HD Display

With up to 3840 × 2160 resolution, the 4K HD display delivers a clear image in sharp, vivid colors.

### AI Recognition of Drawings

Identifies hand-drawn structures such as straight lines, arrow-straight lines, arrow-dotted lines, triangles, parallelograms, trapezoids, rectangles, pentagons, circles, cylinders, pentagrams, semicircles, and ellipse.

### Easy to Share

Enhances the experience of sharing files by scanning a code. It automatically determines the network of the device to readily share the QR code across the extranet and the intranet. QR code encryption and extraction are also featured, providing privacy and data security through the required entry of a 6-digit password for verification.

### File Management

Supports managing and using Office files, image, video and audio files, and file formats such as PDF and TXT.

### Similar to Real Writing Experience

The electronic whiteboard supports pen-point writing. It comes equipped with specialized pressure-sensitive writing pens, designed to enhance the writing experience. With its soft, comfortable nib, writing on the whiteboard feels natural, similar to the real writing experience.

- Displays in 4K Ultra HD and uses 4K UI.
- With its 2 built-in mid-high frequency speakers, the device supports 2.0-channel audio output, and its total power is 30 W.
- Microsoft Office and other related software can be installed, and it can play audio and video files in various formats.
- Offers a smooth writing experience through handwriting recognition, pen writing, its fast writing response speed, and pen pressure recognition.
- Support AI recognition of text and drawings.

### Wireless Screen Sharing

In addition to basic file sharing, the device offers wireless screen sharing, interactive operations between two screens, and reverse transmissions. It also supports screen grouping (multiple transmission), host mode (for overall permission control), real-time transmission of images, videos and audios from the wireless camera of the mobile phone to the device, and split-screen mode that displays up to 9 splits on the same screen.

## Technical Specification

### Built-in System

Operating System	Android 14
CPU	Quad-core A55
CPU Frequency	1.9 GHz
GPU	ARM Mali-G52 MP2 (2EE)
RAM	8 GB
ROM	64 GB
NFC	No

### Function

Operating System of External Module	Windows 7/8/10
Wi-Fi Hotspot	Dual-band 2.4 G/5 G; Supports enabling hotspot and Wi-Fi at the same time

### LCD Panel

Screen Size	65 inch
Backlight	LED
Aspect Ratio	16:9
Brightness	350 cd/m <sup>2</sup> (typ.)
Resolution	3840 × 2160
Viewing Angle	H: 178°; V: 178°
Lifespan	≥50,000 hrs
Display Color	≥72% NTSC
Refresh Rate	60 Hz
Static Contrast Ratio	IPS: 1200 (typ.)
Response Time	≤8 ms (typ.)

### Device Ports

Light Sensor	1
Front Button	1 × power button
Front Ports	1 × USB 2.0
Network Port	1 × RJ-45
Wi-Fi	Yes, 1 × Station, 1 × AP
Wi-Fi Standard	Station: 802.11b/g/n/a/ac/ax AP: 802.11b/g/n/a/ac/ax
Wi-Fi Frequency Range	2400–2483.5 MHz, 5150–5350 MHz, 5470–5725 MHz, 5725–585
MAX Power Transmission (Wi-Fi)	≤20 dBm@2400–2483.5 MHz; ≤23 dBm@5150–5250 MHz; ≤20
Bluetooth	Yes
Bluetooth Standard	BR/EDR/BLE, BT5.2
Bluetooth Frequency Range	2400–2483.5 MHz
MAX Power Transmission (Bluetooth)	≤20 dBm@2400–2483.5 MHz
USB	1 × USB 3.0 (type A); 2 × USB 2.0 (type A); 1 × Micro USB 2.0

RS-232	1 × DB9 male connector
Video Input	2 × HDMI 2.0 (4K@60 Hz)
Audio Output	1 × 3.5 mm Line Out port
Others	1 × Touch port
IrDA	1
Type-C Port	1 × USB 2.0 device + 5 W charging

### Touchscreen

Touch Technology	Infrared
Response Time	≤5 ms
Touch Points	Android: 32 points, Windows: 40 points
Valid Touch	2 mm (0.1") (over 90% touch area)
Writing Mode	Finger + Pen (attaches magnetically)
Anti-light Interference	Anti-dazzle tempered glass
Surface Hardness	≥9H
Touch Resolution	32767 × 32767
Number of Multi-user Writing Points	5 points 3mm (over 90% touch area)

### Speaker

Number of Cavities	2
Frequency	150 Hz–20 kHz
Power	2.0 sound channel, front-end: 2 × 15 W
Built-in Speaker	2

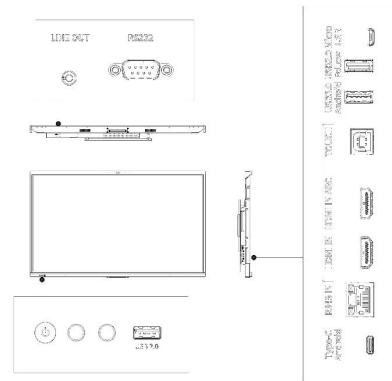
### General

Power Supply	100–240 VAC, 50/60 Hz
Power Consumption	117.5 W (basic), 230 W (max)
Operating Temperature	0 °C to +40 °C (+32 °F to +104 °F)
Storage Temperature	–20 °C to +60 °C (–4 °F to +140 °F)
Operating Humidity	10%–90% (RH), non-condensing
Storage Humidity	10%–90% (RH), non-condensing
Product Material	Metal casing
Protective Glass	3.2 mm Anti-dazzle tempered glass
Casing Color (Frame/Rear)	The left and right sides are black, and the top and bottom are starry gray
Product Dimensions	1,485.4 mm × 115.9 mm × 913 mm (58.5" × 4.6" × 36") (L × W × H)
Frame Size	Top border: 35.3 mm (1.4"), left and right borders: 17.5 mm (0.69"), bottom border: 40 mm (1.6")
Packaging Dimensions	1,623 mm × 227 mm × 1,068 mm (63.90" × 8.94" × 42.05") (L × W × H)
Net Weight	38 kg (83.8 lb)
Gross Weight	43.9 kg (96.8 lb)
Holes Distance	500 mm × 400 mm (19.69" × 15.75")
Installation	Wall mount; mobile bracket
Standby Power	≤0.5 W

# DHI-LCH65-MT410-B-S2

Consumption	
Packing List	<ul style="list-style-type: none"> <li>1 × Smart interactive whiteboard</li> <li>1 × Wireless plug-in module</li> <li>1 × Power cord</li> <li>2 × Stylus pen</li> <li>1 × Quick start guide</li> <li>1 × Legal and regulatory information</li> <li>1 × Wall mount bracket</li> <li>1 × Accessory package</li> <li>1 × Remote control</li> </ul>

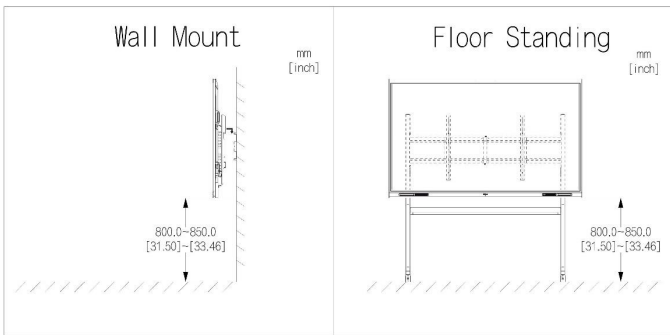
## Panels



## Ordering Information

Type	Model	Description
Smart interactive whiteboard	DHI-LCH65-MT410-B-S2	65 inch

## Installation



## Dimensions (mm[inch])

